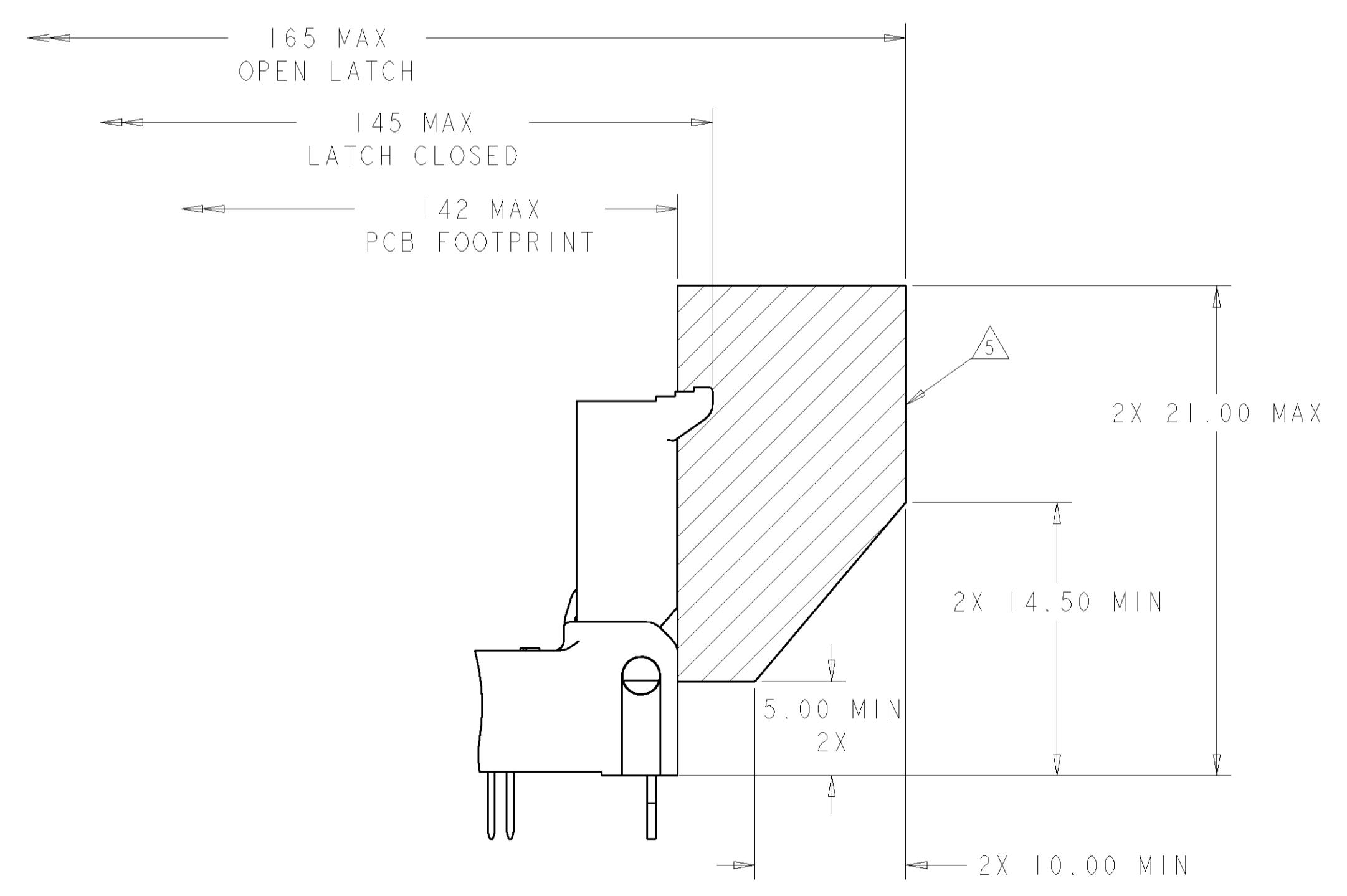
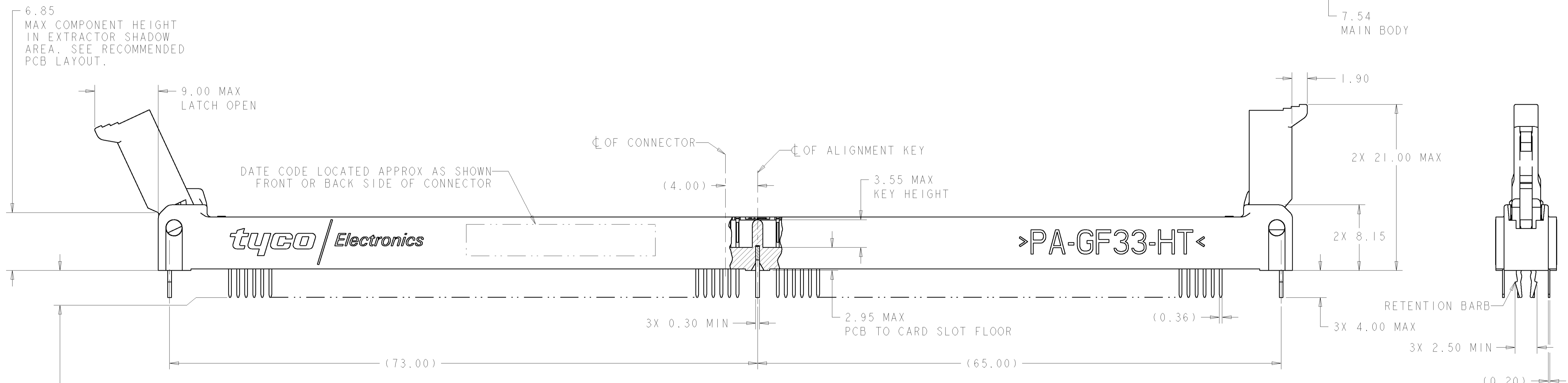
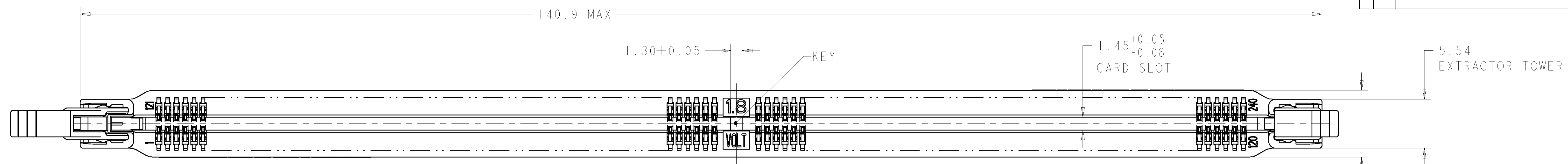


LOC	DIST	REV	DATE	BY	APPD
GP	00	A	22DEC2006	DRR	MB



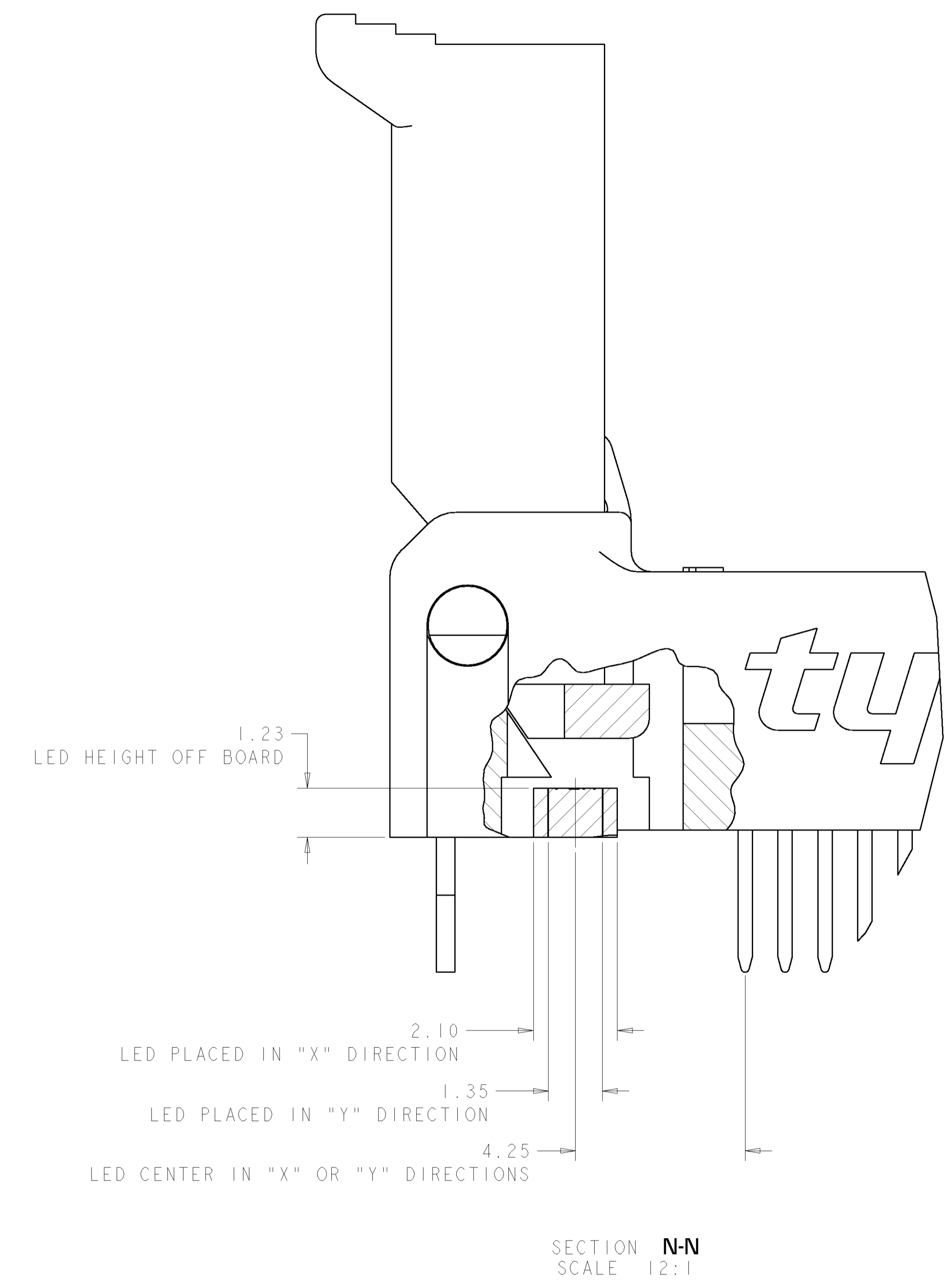
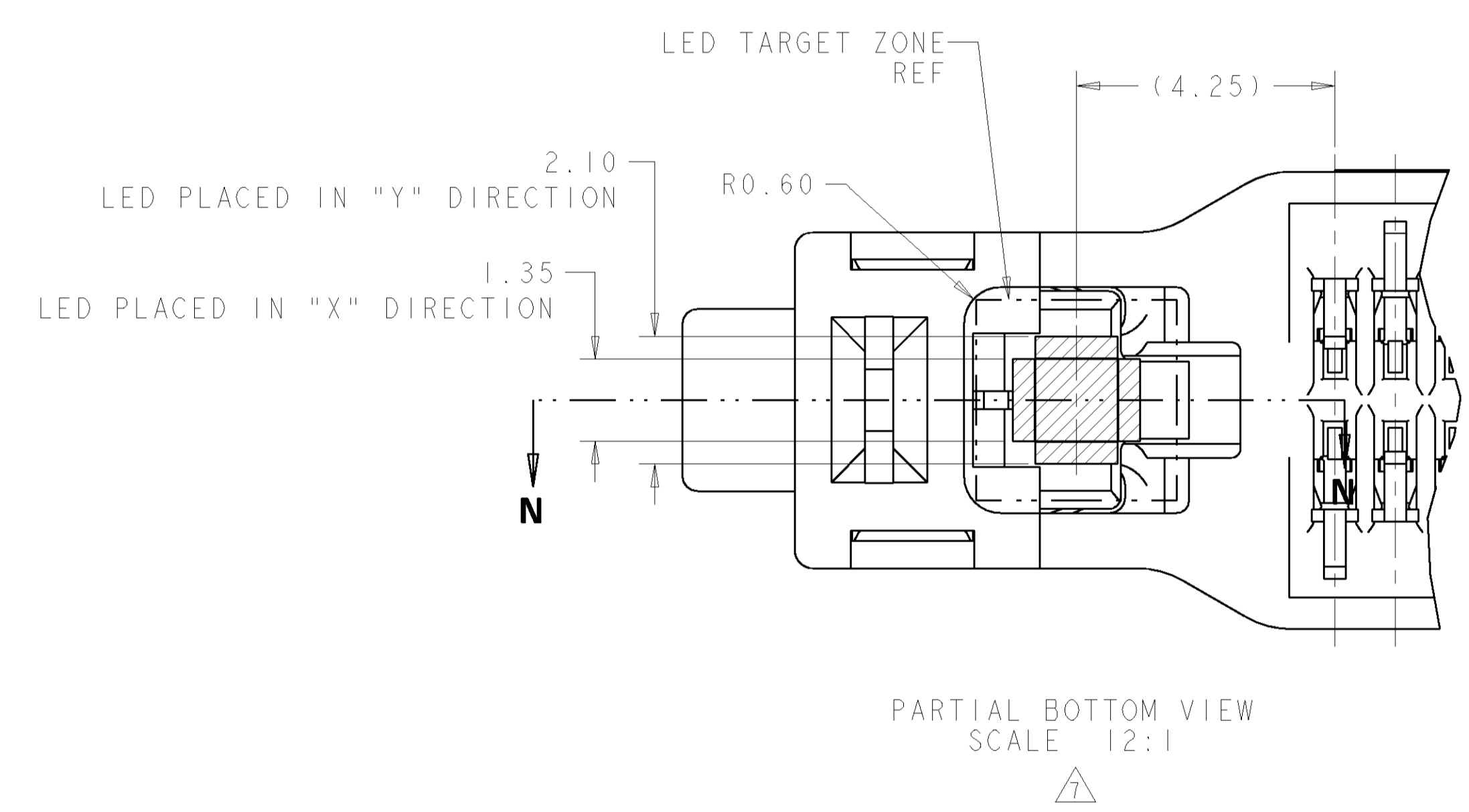
- 2.87±0.25 FOR 1.60 (.063") THK PCB
- 3.38±0.25 FOR 2.36 (.093") THK PCB
- 4.20±0.25 FOR 3.18 (.125") THK PCB

- MATERIALS:**
 HOUSING: HIGH TEMPERATURE NYLON, BLACK, UL94 V-0
 EXTRACTOR: HIGH TEMPERATURE THERMOPLASTIC
 CONTACTS: COPPER ALLOY
 RETENTION BARB: STAINLESS STEEL
- INTERFACE FINISH:**
 (1) 0.00076 MIN THK GOLD OVER 0.00127 MIN THK NICKEL
 (2) 0.00038 MIN THK GOLD OVER 0.00127 MIN THK NICKEL
 (3) 0.00008 MIN THK GOLD OVER 0.00127 MIN THK NICKEL
- FINISHED HOLE SIZE:** 0.15 MAXIMUM ANNULAR RING.
- KEEP OUT ZONE.**
- KEEP OUT AREA RESERVED FOR SOCKET EXTRACTORS, BOTH ENDS.**
- SOLDERTAIL FINISH:** 0.00300 MIN THK MATTE TIN OVER 0.00127 MIN THK NICKEL.
- LED LOCATION AS APPLICABLE PER CUSTOMER.**
- DATUM [-G-] IS CONNECTOR SIDE SURFACE OF PCB.**
9. COMPLIES WITH JEDEC SPECIFICATION SO-001.
10. CENTER HOLE CAN BE EITHER 2.45 BY 1.80 AS SHOWN OR A 2.45 DIAMETER ROUND HOLE.

CONTACT GOLD INTERFACE	CONTACT GOLD INTERFACE	TAIL LENGTH	PART NUMBER
NATURAL	0.00008 MIN	4.20	1888669-9
		3.38	1888669-8
		2.87	1888669-7
NATURAL	0.00038 MIN	4.20	1888669-6
		3.38	1888669-5
		2.87	1888669-4
NATURAL	0.00076 MIN	4.20	1888669-3
		3.38	1888669-2
		2.87	1888669-1

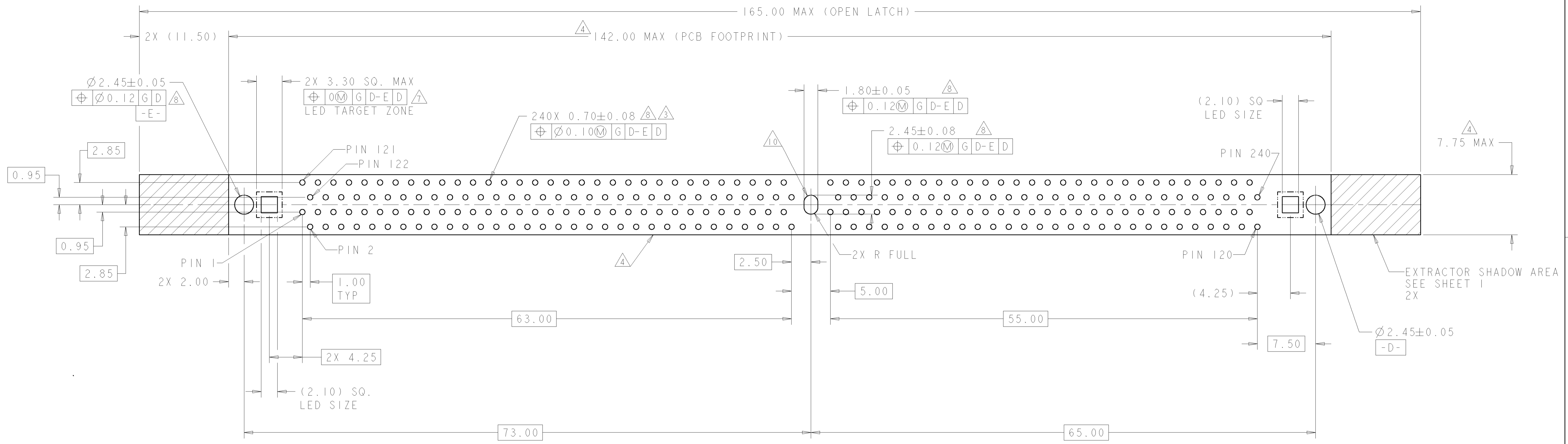
DIMENSIONS: mm TOLERANCES UNLESS OTHERWISE SPECIFIED: 0 PLC ±.5 1 PLC ±0.13 2 PLC ±0.13 3 PLC ±0.13 4 PLC ±0.001 ANGLES ±.1		DWN: D. RINGLER 29SEP2006 CHK: J. PENNYPACKER 29SEP2006 APVD: M. ROWERS 22DEC2006	Tyco Electronics Harrisburg, PA 17105-3608
MATERIAL:		PRODUCT SPEC: 108-2111 APPLICATION SPEC: 114-13087	NAME: SOCKET ASSEMBLY, DDR2 VLP DIMM, SOLDER TAIL, 240 POSITION SIZE: 00779 CAGE CODE: 1888669
FINISH:		WEIGHT: - CUSTOMER DRAWING	RESTRICTED TO: - SCALE: 4:1 SHEET 1 OF 3 REV A

LOC	DIST	REVISIONS			
P	LTR	DESCRIPTION	DATE	DNW	APVD
-	-	SEE SHEET 1	-	-	-

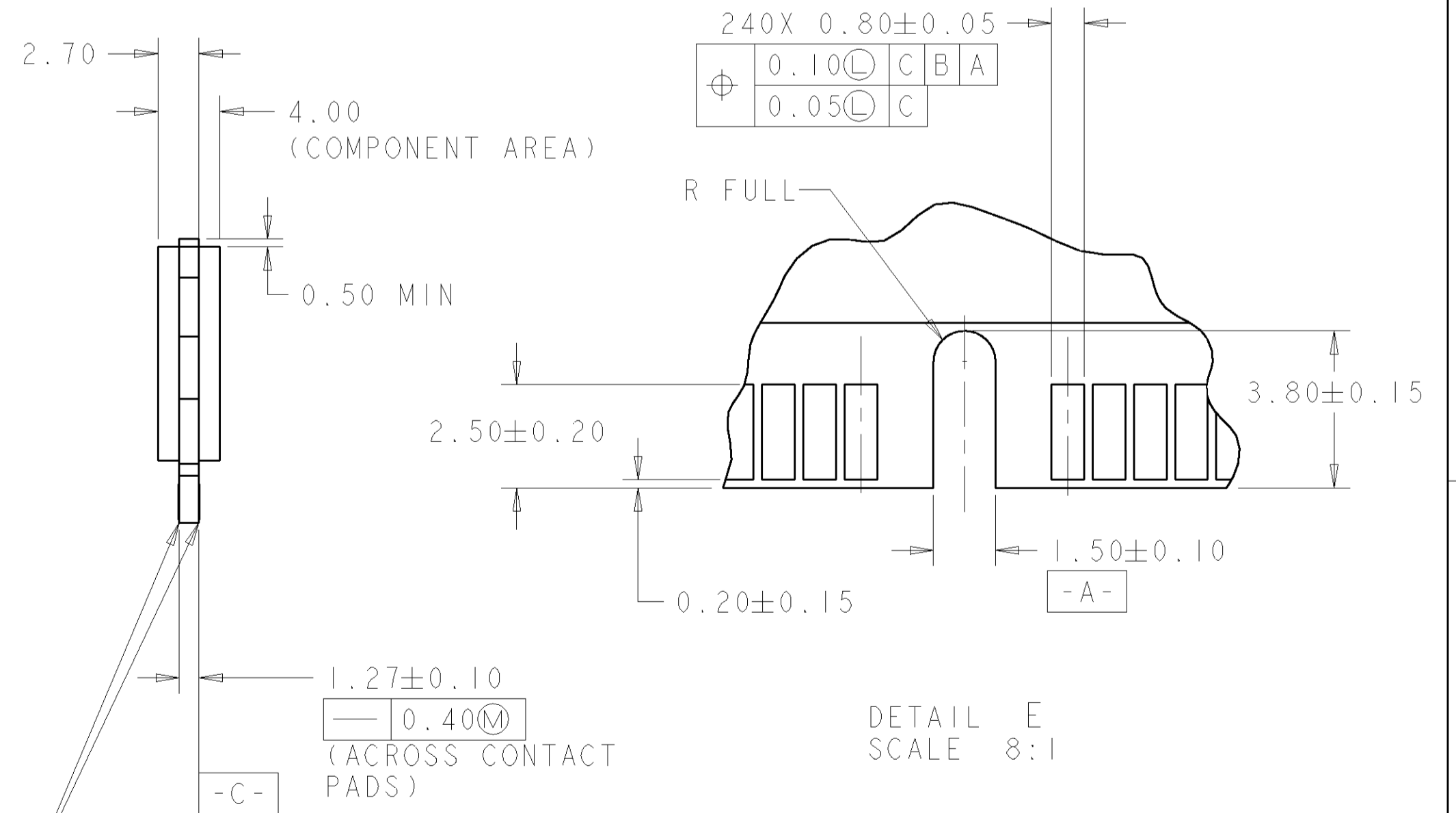
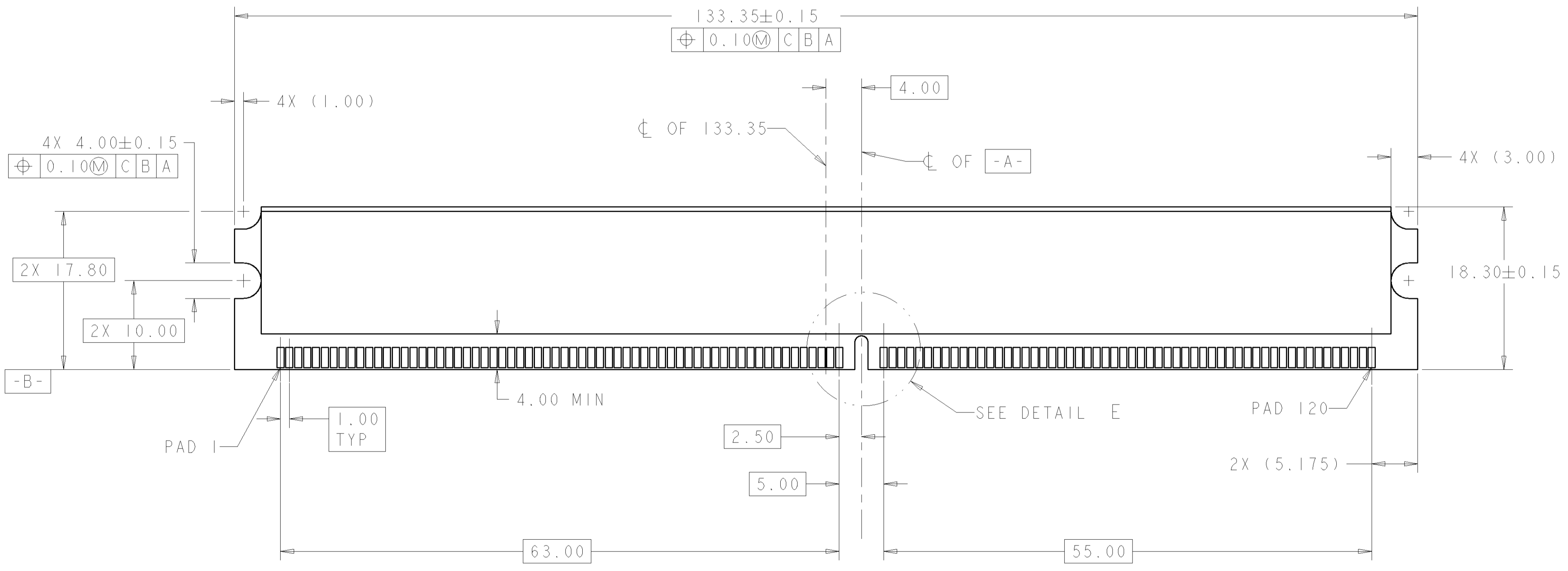


<small>THIS DRAWING IS UNPUBLISHED. RELEASED FOR PUBLICATION. THE INFORMATION CONTAINED HEREIN IS UNCLASSIFIED EXCEPT WHERE SHOWN OTHERWISE. IT IS THE PROPERTY OF TYCO ELECTRONICS CORPORATION AND IS TO BE CONTROLLED AND DISTRIBUTED IN ACCORDANCE WITH THE COMPANY'S POLICY.</small>		DWN D. RINGLER 29SEP2006 ENR J. PENNYPACKER 29SEP2006 APVD M. ROWERS 22DEC2006	tyco Tyco Electronics Harrisburg, PA 17105-3608
DIMENSIONS: mm 	TOLERANCES UNLESS OTHERWISE SPECIFIED: 0 PLC ± 1 PLC ±0.5 2 PLC ±0.13 3 PLC ±0.013 4 PLC ±0.001 ANGLES ±	PRODUCT SPEC 108-2111 APPLICATION SPEC 114-13087 WEIGHT CUSTOMER DRAWING	NAME SOCKET ASSEMBLY, DDR2 VLP DIMM, SOLDER TAIL, 240 POSITION SIZE CAGE CODE DRAWING NO RESTRICTED TO A 00779 C=1888669 SCALE 4:1 SHEET 2 OF 3 REV A

LOC		DIST		REVISONS			
GP	00	P	LTR	DESCRIPTION	DATE	DRN	APVD
		-	-	SEE SHEET 1	-	-	-



RECOMMENDED PCB LAYOUT
 VIEWED FROM CONNECTOR SIDE



RECOMMENDED MODULE LAYOUT

SCALE 3:1

NOTE: REFER TO JEDEC MO-237 VARIATIONS DB, EB, FB, GB FOR COMPLETE MODULE DETAILS

0.20-0.05 X 45° OPTIONAL
 MUST NOT HIT GOLD CONTACTS

DIMENSIONS:		TOLERANCES UNLESS OTHERWISE SPECIFIED:		DRAWN		tyco		Tyco Electronics	
mm		0 PLC	±	D. RINGLER	29SEP2006	Harrisburg, PA 17105-3608			
		1 PLC	±0.5	J. PENNYPACKER	29SEP2006				
		2 PLC	±0.13	M. ROWERS	22DEC2006				
		3 PLC	±0.013						
		4 PLC	±0.0013						
		ANGLES	±						
MATERIAL		FINISH							
				CUSTOMER DRAWING		SCALE 1:1		SHEET 3 OF 3	